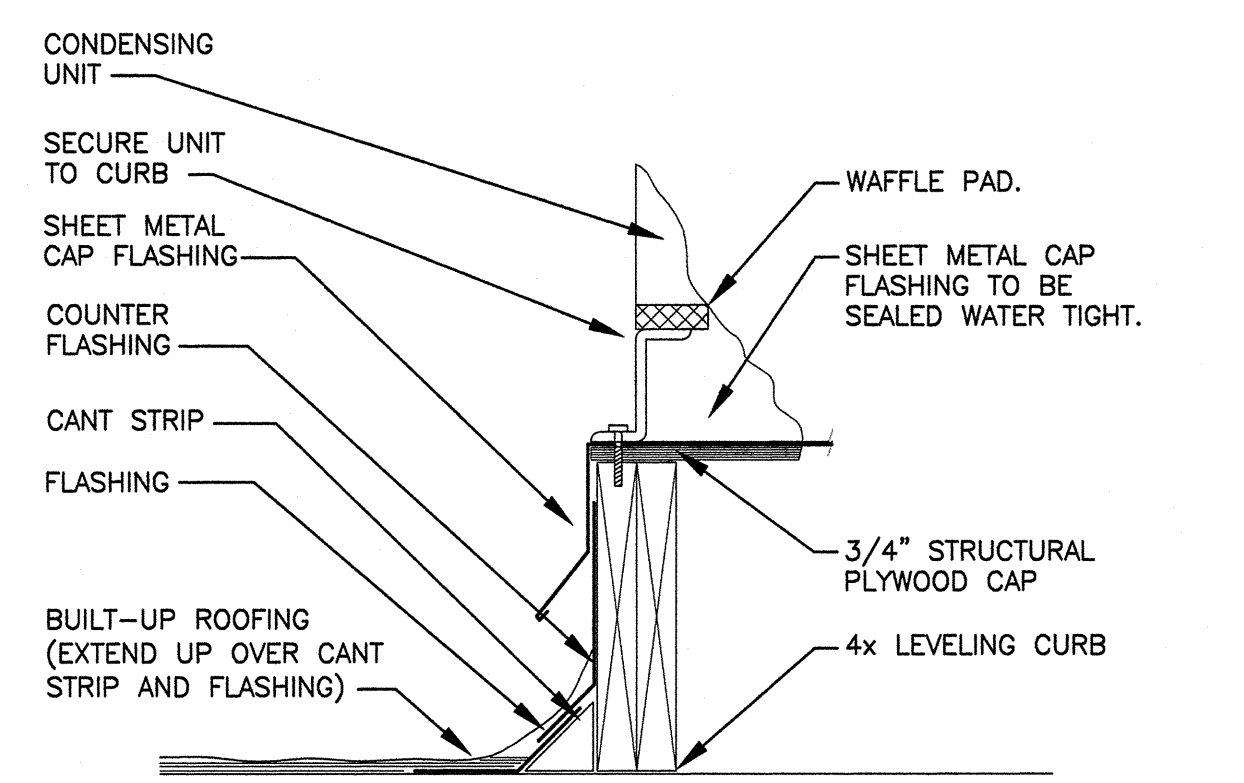
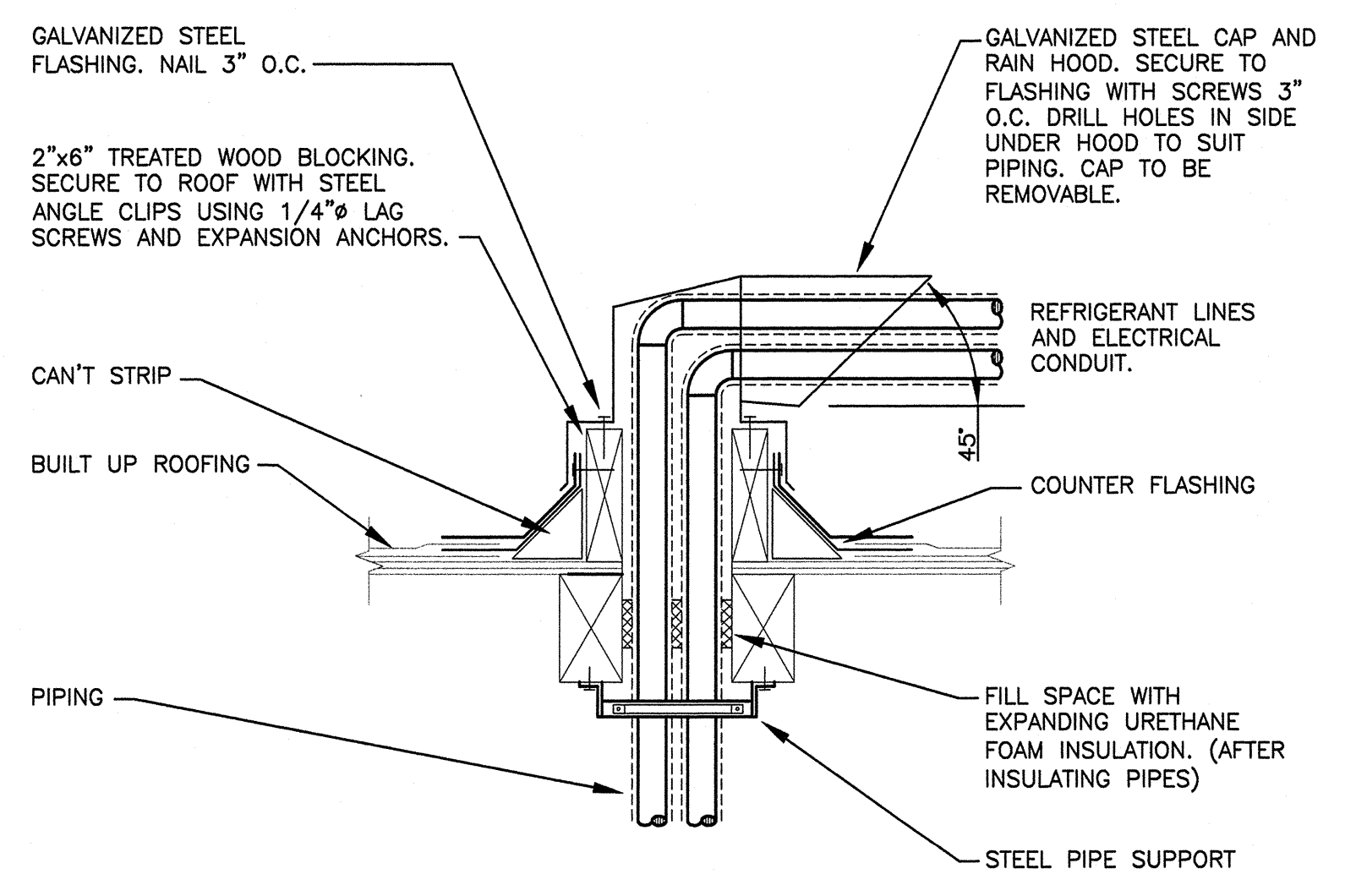


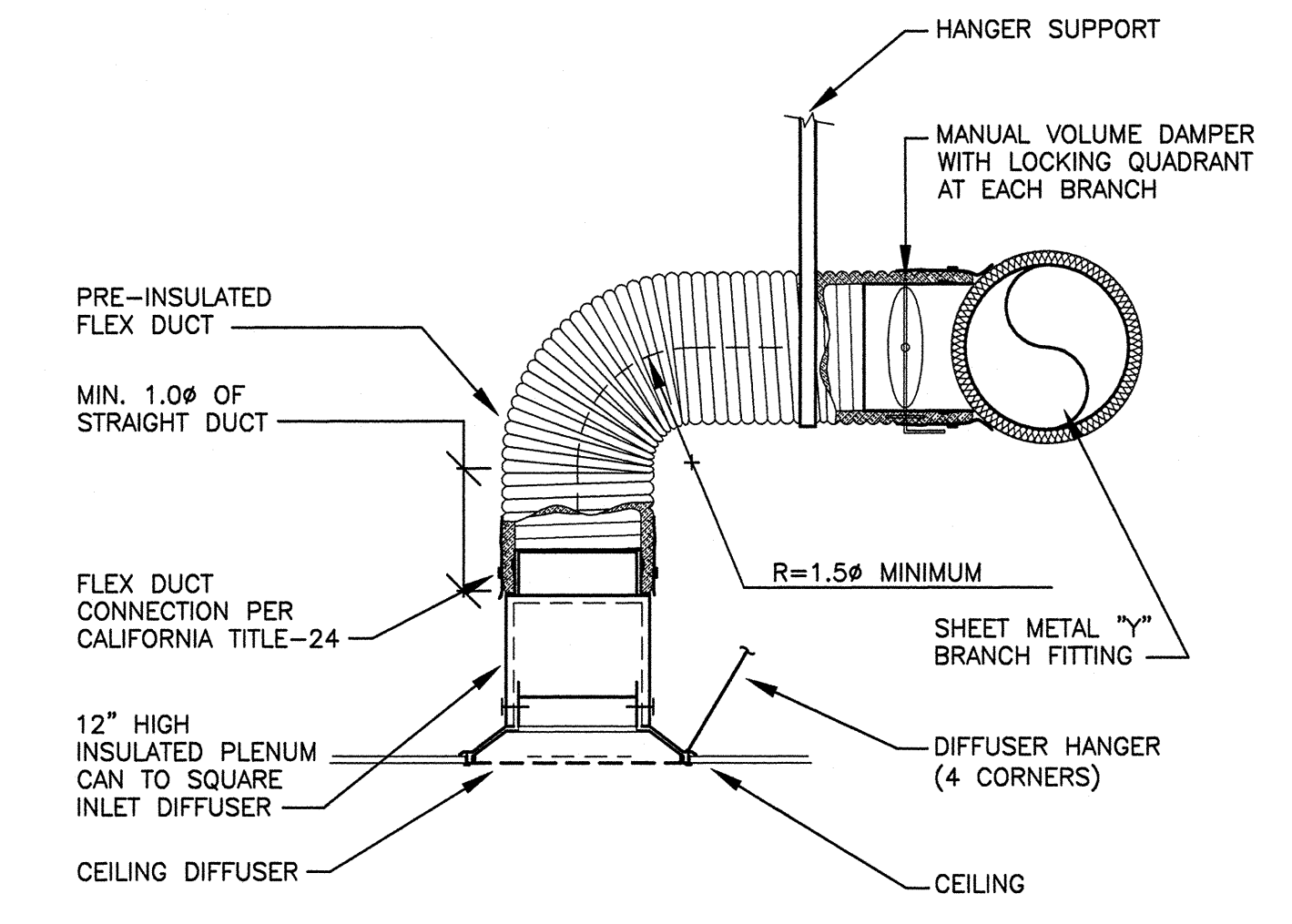
3 CONDENSATE DRY WELL DETAIL
 SCALE: NO SCALE



2 UNIT CURB DETAIL WITH BLOCKING
 SCALE: NO SCALE



4 PIPE THROUGH ROOF DETAIL
 SCALE: NO SCALE



1 DIFFUSER AND FLEX DUCT DETAIL
 SCALE: NO SCALE