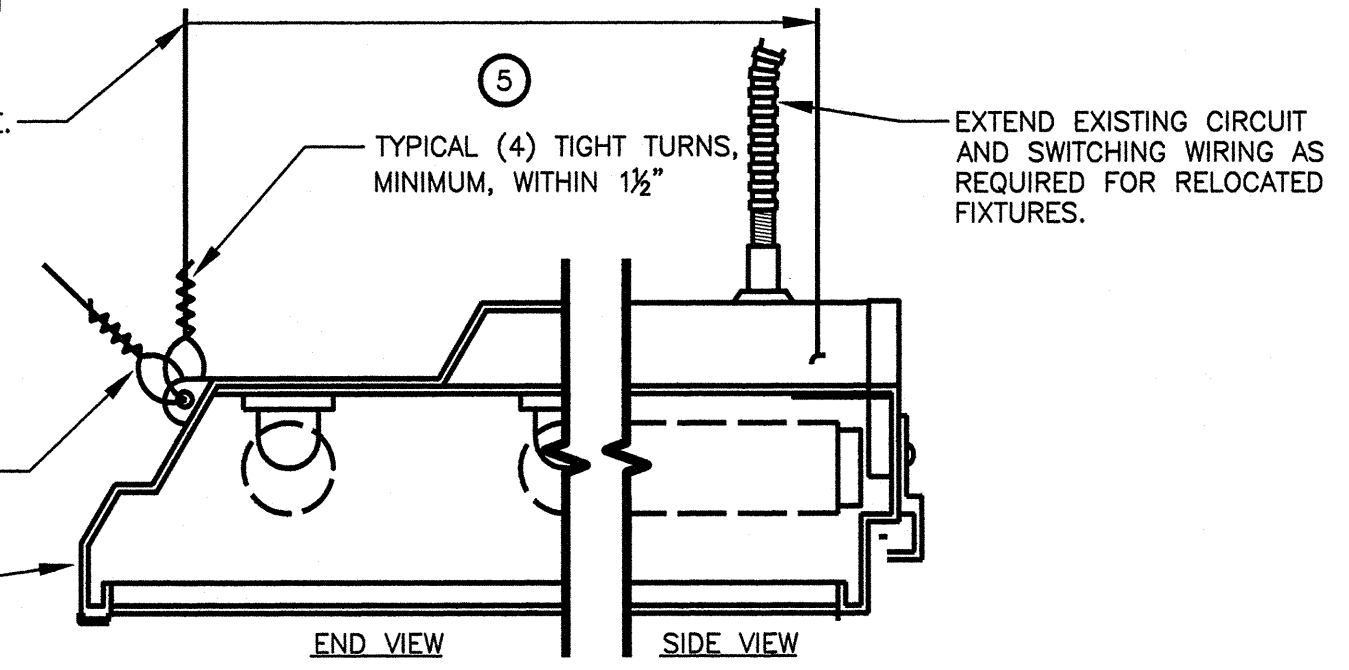


- ### NUMBERED NOTES
- 1 PROVIDE AND INSTALL NEW 400A FRAME FUSE BUCKET IN EXISTING SPACE IN MAIN DISTRIBUTION BOARD LDI. FUSE BUCKET SHALL BE BY SAME MANUFACTURER AS EXISTING EQUIPMENT. PROVIDE AND INSTALL (3) 250A UL CLASS RK-1 FUSES. PROVIDE (3) SPARE FUSES. NEW FUSE BUCKET AIC RATINGS SHALL EQUAL OR EXCEED AIC RATINGS OF THE EXISTING EQUIPMENT.
 - 2 PROVIDE AND INSTALL NEW PANEL "L4." PANEL SHALL BE 120/208V, 3 POLE, 4W, 250A, MLO, 42 CIRCUIT PANEL BOARD. MINIMUM AIC RATING SHALL BE 42K AIC WHEN SERIES RATED WITH 250A FEEDER FUSE.
 - 3 PROVIDE AND INSTALL MAINTENANCE RECEPTACLES ON ROOF WITHIN 25 FEET OF MECHANICAL EQUIPMENT. RECEPTACLES SHALL BE GFCI AND HAVE BOXES AND COVERS THAT ARE WEATHERPROOF DURING USE.
 - 4 INFORMATION ON EXISTING ELECTRICAL WAS DETERMINED FROM SITE INVESTIGATION AND EXISTING "AS-BUILT" CONSTRUCTION DOCUMENTS DATED 10-1-1993. MAKE MINOR ADJUSTMENTS FOR ACTUAL CONDITIONS AS REQUIRED.
 - 5 RELOCATE AND RE-SUPPORT EXISTING LIGHT FIXTURES AS REQUIRED FOR REMOVAL OF EXISTING T-BAR AND INSTALLATION OF NEW MECHANICAL UNITS. EXTEND EXISTING CIRCUITING AND SWITCHING TO RELOCATED LIGHT FIXTURES.
 - 6 PROVIDE INDEPENDANT SUPPORT OF EXISTING, LOW VOLTAGE SYSTEMS WIRING EXPOSED DUE TO REMOVAL OF T-BAR CEILING. RE-SUPPORT LOW VOLTAGE SYSTEMS WIRING WITH CEILING WIRES AND J-HOOKS OR OTHER MEANS ACCEPTABLE TO THE OWNER.
 - 7 LOCATIONS AND HOME RUNS FOR COMPUTER ROOM EQUIPMENT ARE NOT SHOWN. VERIFY EXACT EQUIPMENT REQUIREMENTS AND OUTLET LOCATIONS WITH OWNER PRIOR TO ROUGH-IN.

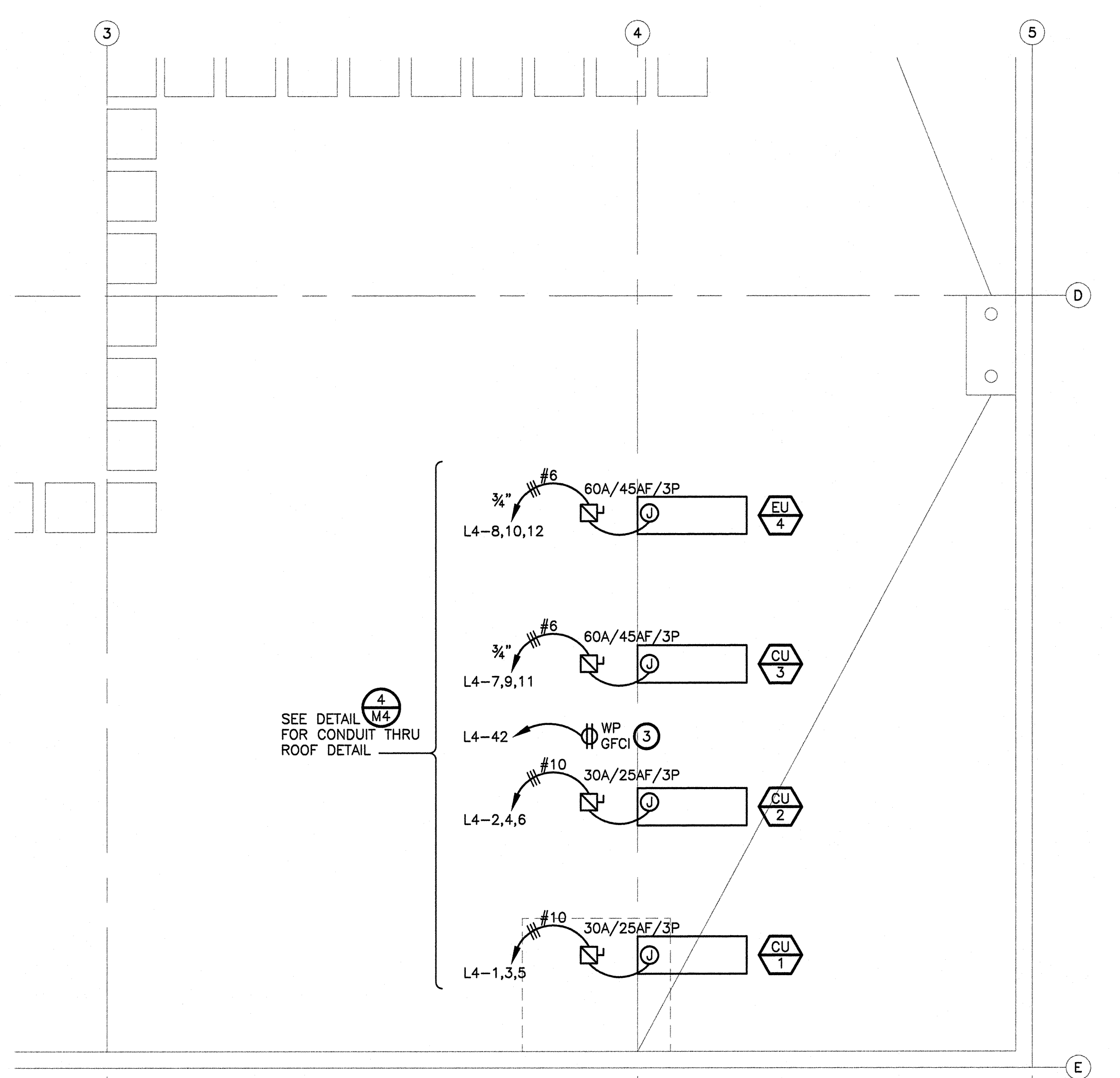
#12 GA (MINIMUM) LIGHT FIXTURE SUPPORT WIRE, (6) PER EACH 2X4 LIGHT FIXTURE, ONE AT EACH FIXTURE CORNER AND ADDITIONAL WIRES AT OPPOSITE CORNERS FOR SWAY BRACING. SECURE TO BUILDING STRUCTURE SIMILAR TO CEILING SUPPORT WIRES, BY ELECT. TRADE.

SECURE LIGHT FIXTURE SUPPORT WIRES TO MOUNTING TABS. IF LIGHT FIXTURE IS NOT FURNISHED WITH MOUNTING TABS, PROVIDE (2) "EYE" BOLTS WITH ALL NECESSARY HARDWARE

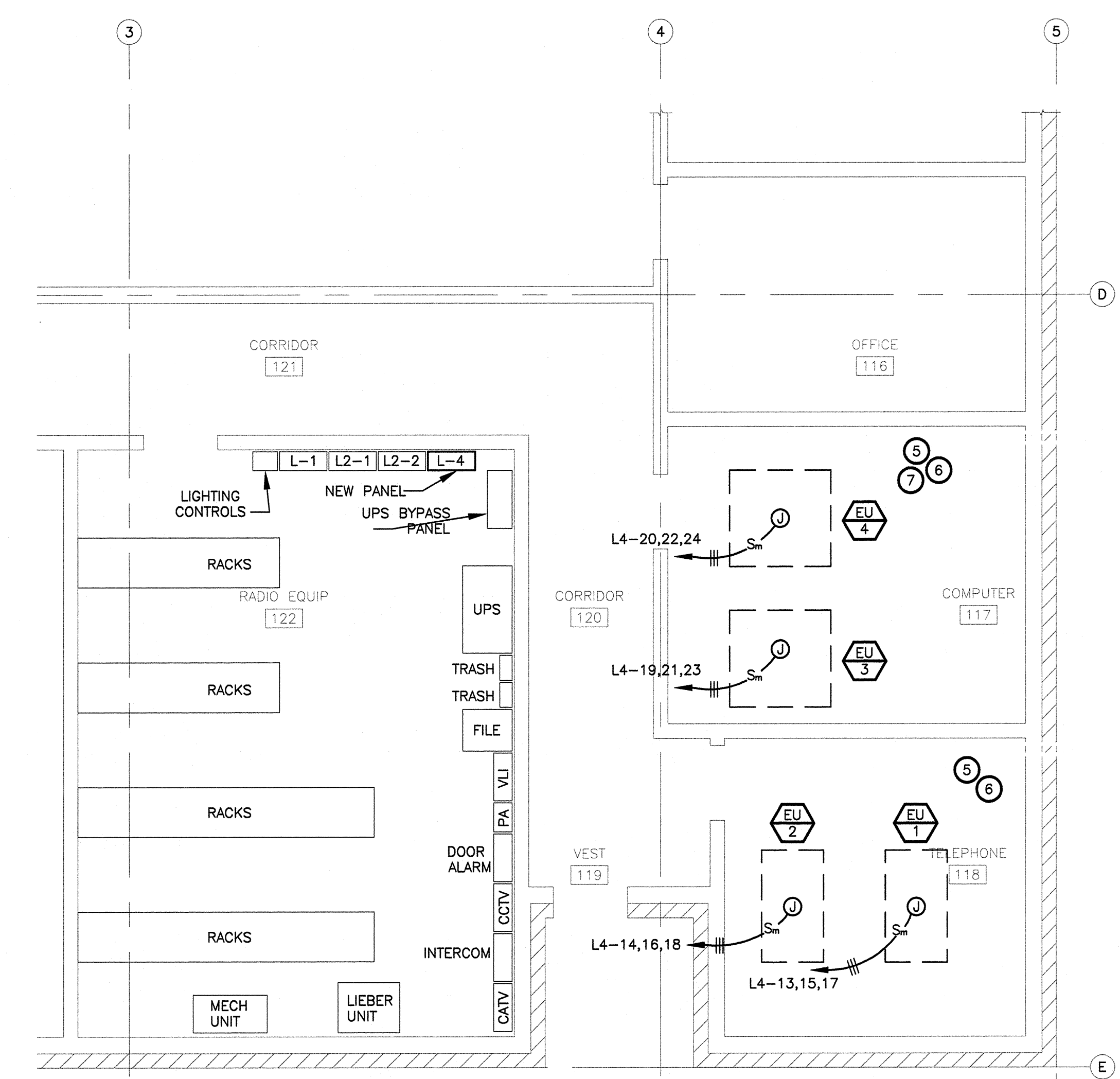
TYPICAL LIGHT FIXTURE



3 RECESSED LIGHT FIXTURE DETAIL (T-BAR REMOVED)
NO SCALE



2 NEW ROOF ELECTRICAL PLAN
SCALE: 1/4" = 1'-0"



1 NEW FIRST FLOOR ELECTRICAL PLAN - RADIO, COMPUTER, TELEPHONE ROOMS
SCALE: 1/4" = 1'-0"

crms architects and planners, inc. carissimirohrer mcmullen shively

5921 lokom boulevard - sacramento, ca 95819
phone: (916) 451-5000 - fax: (916) 451-1600

CONSULTANT
TSE
Taylor Systems Engineering, Inc.
9801 Fair Oaks Blvd., Suite 100
Fair Oaks, CA 95628
PH: 916.981.3400 FX: 916.981.3410
FAX: 916.981.3400 FAX: 916.981.3410
PLOT DATE: JUL 15, 2008

SHASCOM EMERGENCY SERVICES COMMUNICATIONS CENTER SERVER AND PHONE ROOM FIRE PROTECTION AND MECHANICAL UPGRADES
3101 SOUTH STREET
REDDING, CALIFORNIA

STAMP
REGISTERED PROFESSIONAL ENGINEER
JAMES CARPENTIER
E 14120
916-30-09
ELECTRICAL
STATE OF CALIFORNIA

REVISIONS

DRAWING TITLE
ELECTRICAL PLAN AND ONE LINE DIAGRAM

PROJECT NO. 0213 DATE JULY 2008

FILE NO. EI

DRAWN BY SMS
CHECKED BY JAT

E2